

TNU-4041T/4051T

VGA NW Thermal Positioning Camera

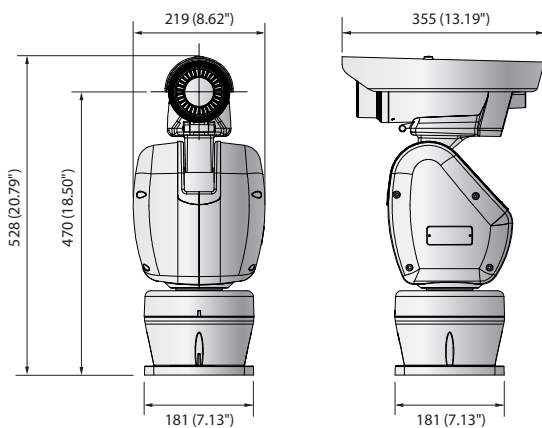


Key Features

- Max. 640 x 480 resolution support
- Built-in 19mm (TNU-4041T), 35mm (TNU-4051T) fixed lens
- H.265, H.264, MJPEG codec, WiseStreamII support
- Max. 30fps@all resolutions (H.265, H.264)
- Tampering, Loitering, Directional detection, Audio detection, Sound classification, Shock detection, Temperature change detection
- Micro SD/SDHC/SDXC memory slot (Max. 256GB)
- 24V AC, NEMA 4X, IK10 (TNU-4041T)

Dimensions

Unit:mm(inch)



	TNU-4041T/4051T	TNU-4051T		
VIDEO	Imaging Device	Uncooled Micro bolometer		
	Pixel Size	17μm		
	Effective Pixels	640x480		
	NETD	50mK		
	Video Out	CVBS : 1.0 Vp-p / 75Ω composite, 720x480(N), 720x576(P), for installation		
LENS	Focal Length (Zoom Ratio)	19mm fixed	35mm fixed	
	Max. Aperture Ratio	F1.0		
	Angular Field of View	H : 32° / V : 24.3° / D : 39.2°	H : 17.2° / V : 13° / D : 22°	
	Min. Object Distance	11m	36m	
	Focus Control	Fixed		
	Mount Type	Board-in type		
	PAN / TILT / ROTATE	Pan Range	360° Endless	
Pan Speed		0.025°~ 120°/sec		
Tilt Range		-90° ~ 40°		
Tilt Speed		0.025°~ 40°/sec		
Sequence		Preset (300ea), Group (6ea)		
Preset Accuracy		0.3°		
Azimuth		Yes (E / W / S / N / NE / NW / SE / SW)		
OPERATIONAL	Camera Title	Off / On - W/W : English / Numeric / Special characters - China : English / Numeric / Special / Chinese characters - Common : Multi-line (Max. 5), Colour (Grey / Green / Red / Blue / Black / White), Transparency, Auto scale by resolution		
	Digital Image Stabilisation	Off / On (with gyro sensor)		
	Motion Detection	Off/ On (8ea, 8point polygonal zones), Handover		
	Video & Audio Analytics	Tampering, Loitering, Directional detection, Audio detection, Sound classification, Shock detection, Temperature change detection		
	Alarm I/O	Input 1ea / Output 1ea		
	Alarm Triggers	Alarm input, Motion detection, Video&audio analytics, Network disconnect		
	Alarm Events	File upload via FTP and E-Mail, Notification via E-Mail, Local storage (Micro SD/SDHC/SDXC) or NAS recording at event triggers, External output		
	Audio In	Selectable (Mic in / Line in), Supply voltage : 2.5VDC (4mA), Input impedance : approx. 2K Ohm		
	Audio Out	Line out, Max. output level : 1 Vrms		
	Pixel Count	Support		

TNU-4041T/4051T		
NETWORK	Ethernet	RJ-45 (10/100BASE-T)
	Video Compression Format	H.265 / H.264 (MPEG-4 Part 10/AVC) : Main / Baseline / High , Motion JPEG
	Resolution	640x480, 640x360, 320x240
	Max. Framerate	H.265/H.264 : Max. 30fps at all resolutions / Motion JPEG : Max. 30fps
	Smart Codec	Manual Mode (area-based : 5EA)
	WiseStreamII	Support
	Video Quality Adjustment	H.264 / H.265 : Target bitrate level control / MJPEG : Target bitrate level control
	Bitrate Control Method	H.264 / H.265 : CBR or VBR / MJPEG : VBR
	Streaming Capability	Multiple streaming (Up to 10 profiles)
	Audio Compression Format	G.711 u-law /G.726 Selectable G.726 (ADPCM) 8KHz, G.711 8KHz G.726 : 16Kbps, 24Kbps, 32Kbps, 40Kbps AAC-LC : 48Kbps at 8/16/32/48KHz
	Audio Communication	Bi-directional (2-Way)
	IP	IPv4, IPv6
	Protocol	TCP/IP, UDP/IP, RTP(UDP), RTP(TCP), RTCP,RTSP, NTP, HTTP, HTTPS, SSL/TLS, DHCP, FTP, SMTP, ICMP, IGMP, SNMPv1/v2c/v3(MIB-2), ARP, DNS, DDNS, QoS, PIM-SM, UPnP, Bonjour
	Security	HTTPS (SSL) login authentication, Digest login authentication, IP address filtering, User access log, 802.1X authentication (EAP-TLS, EAP-LEAP)
	Streaming Method	Unicast / Multicast
	Max. User Access	20 users at unicast mode
	Edge Storage	Micro SD/SDHC/SDXC (up to 256 GB) - Motion Images recorded in the micro SD/SDHC/SDXC memory card can be downloaded. NAS (Network Attached Storage) Local PC for instant recording
	Application Programming Interface	ONVIF Profile S/G, SUNAPI (HTTP API), Open Platform
	Webpage Language	English, French, German, Italian, Spanish, Russian, Turkish, Polish, Dutch, Swedish, Czech, Portuguese, Japanese, Chinese, Korean
	Web Viewer	Supported OS : Windows 7, 8.1, 10, Mac OS X 10.10, 10.11, 10.12 Non-plugin Webviewer - Supported Browser : Google Chrome 63, MS Edge 41, Mozilla Firefox 57 (Windows 64bit only), Apple Safari 11 (Mac OS X only)
Central Management Software	SmartViewer, SSM, Wisenet WAVE	
ENVIRONMENTAL	Operating Temperature / Humidity	-40°C ~ +60°C (-40°F ~ +140°F) / Less than 90% RH
	Storage Temperature / Humidity	-50°C ~ +60°C (-58°F ~ +140°F) / Less than 90% RH
	Ingress Protection	IP66, NEMA 4X
	Vandal Resistance	IK10
	Certification	UL, FCC(Class A), CE(Class A)
ELECTRICAL	Input Voltage / Current	24VAC (±10%) / Max. 6A
	Power Consumption	84W (Heater on), 62W (Heater off)
MECHANICAL	Colour / Material	White / Aluminium
	Dimension (W x H x D)	219x528x335mm (8.62"x20.79"x13.19")
	Weight	11.7 kg (25.79lb)

* The latest product information / specification can be found at hanwha-security.com

* Design and specifications are subject to change without notice.

* Wisenet is the proprietary brand of Hanwha Techwin.